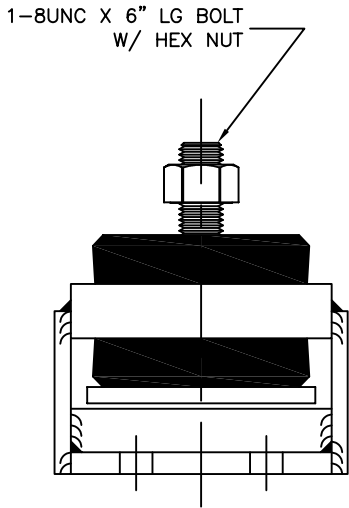
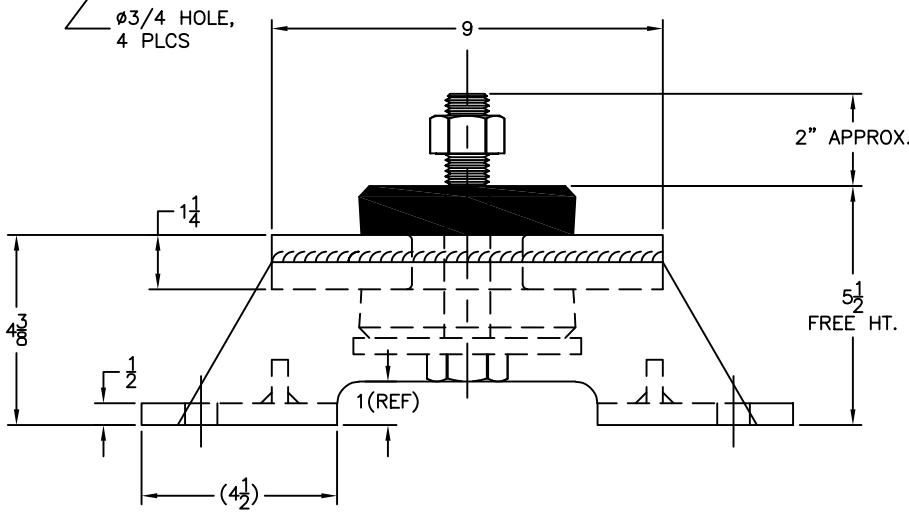
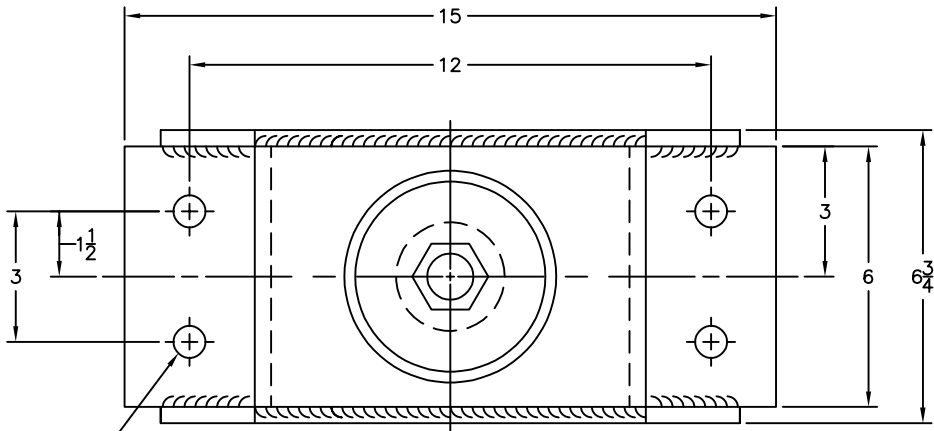


REV.	DESCRIPTION	DATE	BY

MODEL MB5 RESTRAINED ELASTOMERIC ISOLATOR

MODEL	PART NO.	MAX. RATED LOAD (LBS)	APPROX. NATURAL FREQUENCY AT RATED LOAD - 10 Hz
MB5-2600	770039-1	2600	
MB5-3600	770039-2	3600	
MB3-4600	770039-3	4600	



- NOTES:
1. ALL DIMENSIONS ARE IN INCHES. INTERPRET PER ANSI Y14.
 2. STANDARD FINISH:
HOUSING: ONE SHOP COAT
STANDARD VMC COLOR.
 3. HARDWARE: ELECTRO-ZINC PLATED

OTHER MATERIALS, COMPOUNDS, OR FINISHES WITH EQUAL OR SUPERIOR PROPERTIES MAY BE SUBSTITUTED AS THEY BECOME AVAILABLE.

CERTIFIED FOR:

JOB NAME: _____

CUSTOMER: _____

CUSTOMER P.O.: _____

SALES ORDER: _____

**MODEL MB5 2600-4600 LBS.
RESTRAINED ELASTOMERIC ISOLATOR**



VMC GROUP
THE POWER OF TOGETHER™
Bloomington, NJ 07403
Houston, TX 77041

SCALE:	NONE	
SHEET:		
DRAWING NO.:		REVISION